

**NEW
LAUNCHING**

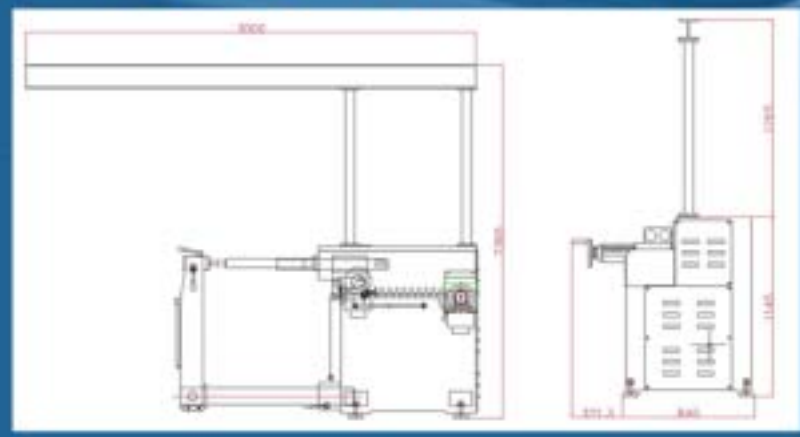
KOENG CO., LTD.

PERFECT SOLUTION
FOR
HEAVY TRUCK AND BUS

KBL-9000



Detail views



NEW KBL-9000

SPECIFICATION

- Power Requirements 220-380V 3Phase, 50/60Hz
- Main Motor..... 3HP [GEARED MOTOR]
- Feed Motor..... 2 Gear DC Motor
- Arbor Speed..... 0-140RPM (Inverter System)
- Drum/Rotor Feed SpeedVariable
- Drum/Rotor Lathe Limited SwitchStandard
- Rotor.....0.001" - 0.010" per rev
0.025 - 0.250 mm
- Drum.....0.001" - 0.012" per rev
0.025 - 0.300 mm
- Drum Diameter.....240mm - 1000mm
- Drum Depth.....500mm
- Rotor / Flywheel Diameter65mm - 650mm
- Rotor Thickness.....70mm
- Arbor Diameter
Standard.....60mm
Optional.....30mm
Optional.....Small Drum Kit
- Drum/Rotor Maximum Support Weight350Kg
- Machine Net Weight.....1700Kg
- Shipping Weight.....1800Kg

